

SPEC:

Peek Zero

Name	P.N.	Height(mm)
Cage	253120005	5
Plate	231612005C	
Cage	253120006	6
Plate	231612006C	
Cage	253120007	7
Plate	231612007C	
Cage	253120008	8
Plate	231612008C	
Cage	253120009	9
Plate	231612009C	
Cage	253120010	10
Plate	231612010C	
Cage	253120011	11
Plate	231612011C	
Cage	253120012	12
Plate	231612012C	

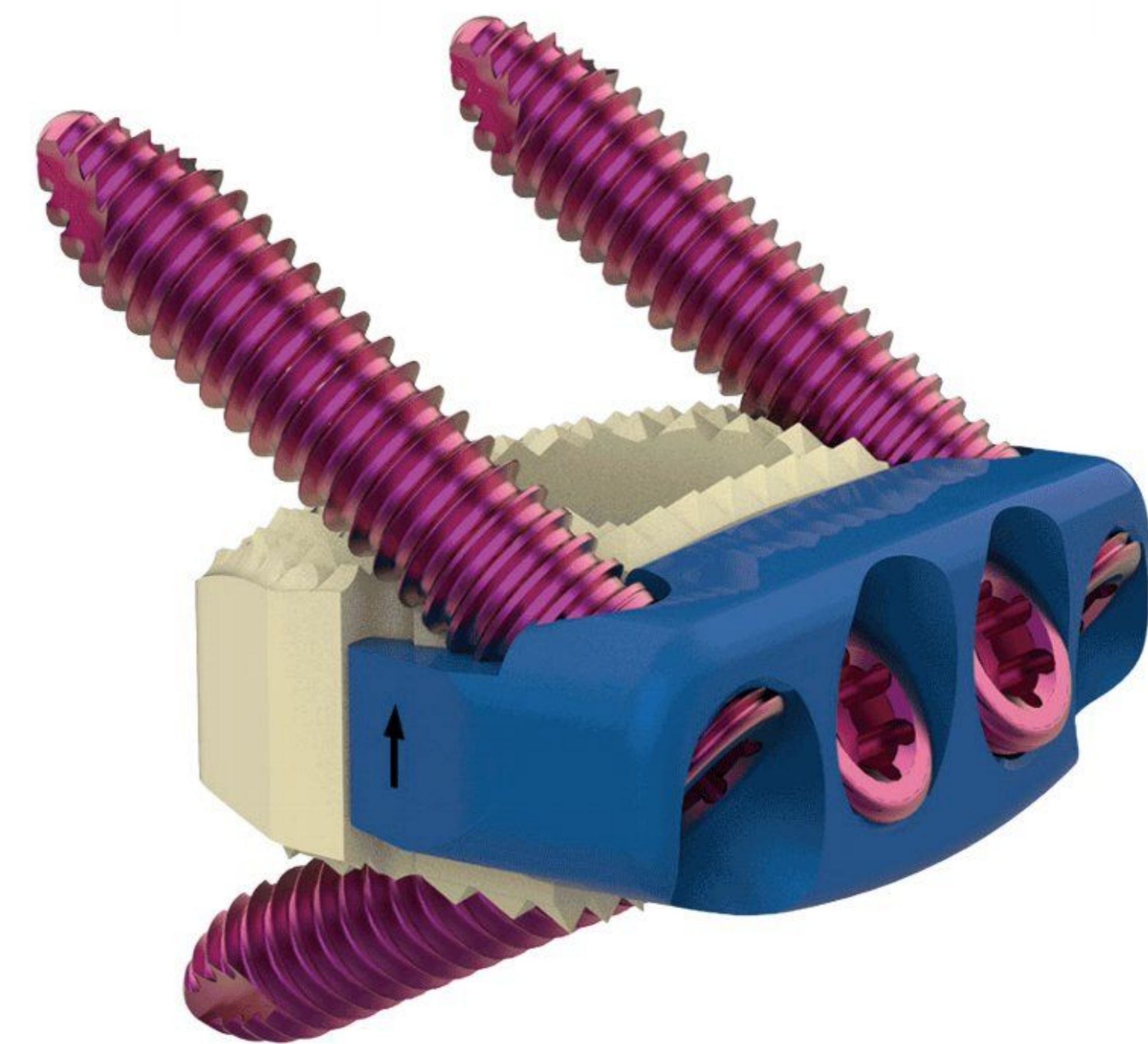
Screw

Name	P.N.	Length(mm)
Fix Angle Locking Screw	231611012C	12
Fix Angle Locking Screw	231611014C	14
Fix Angle Locking Screw	231611016C	16

CanPEEK-Z Anterior Cervical Instrument Set 211069000

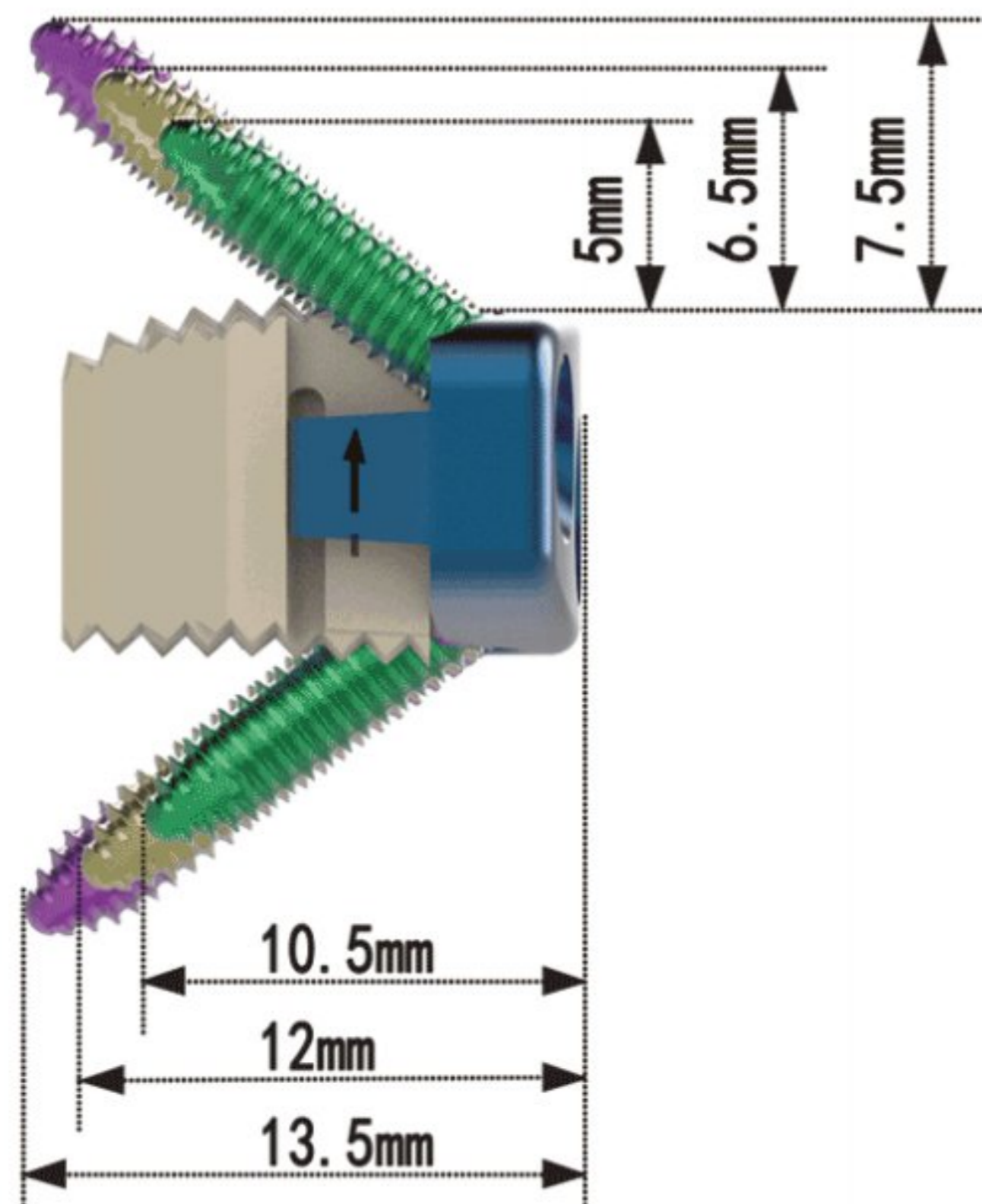


Anterior Cervical Instrument Set



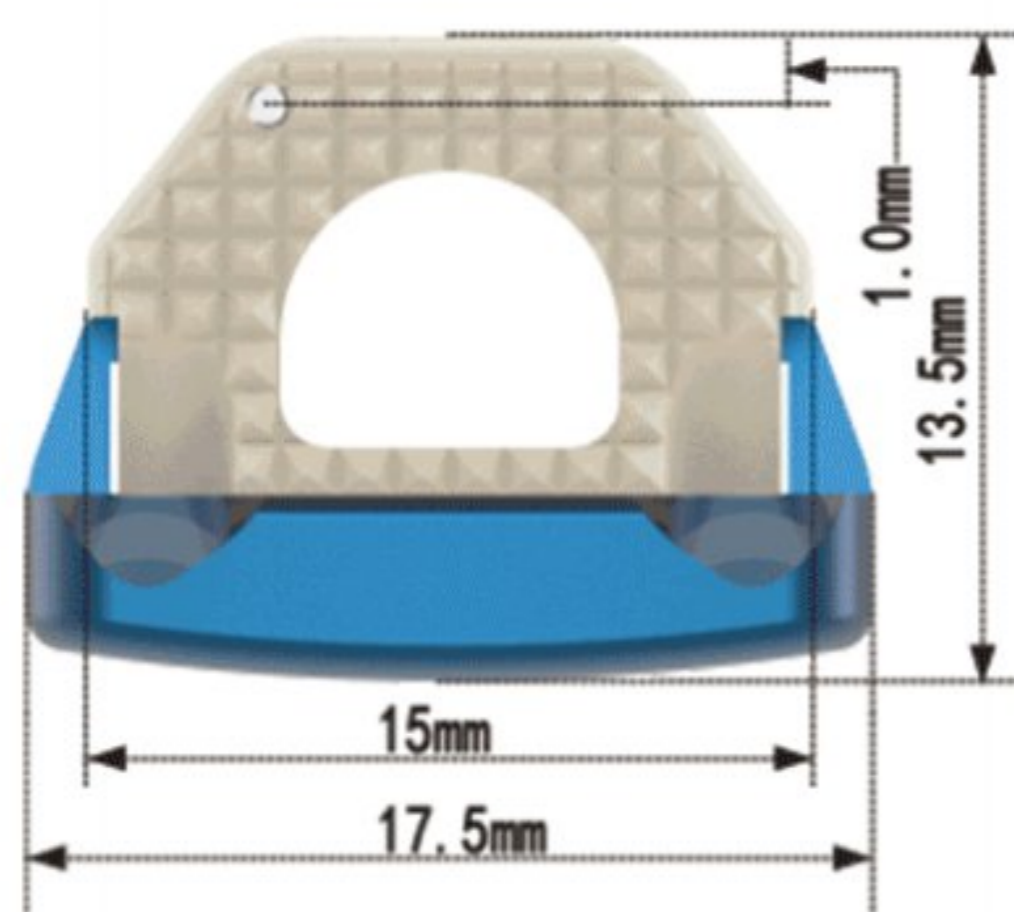
Introduction

- Sharp surface bumps provide initial stability, reduces the risk of implant movement and withdrawal
- Anatomical design
- Maximize fusion contact surface and bone graft volume
- X-ray transmittance characteristics
- Excellent biocompatibility, no carbon fiber, reduced systemic and local inflammatory reaction
- Numerous specifications to meet different clinical needs



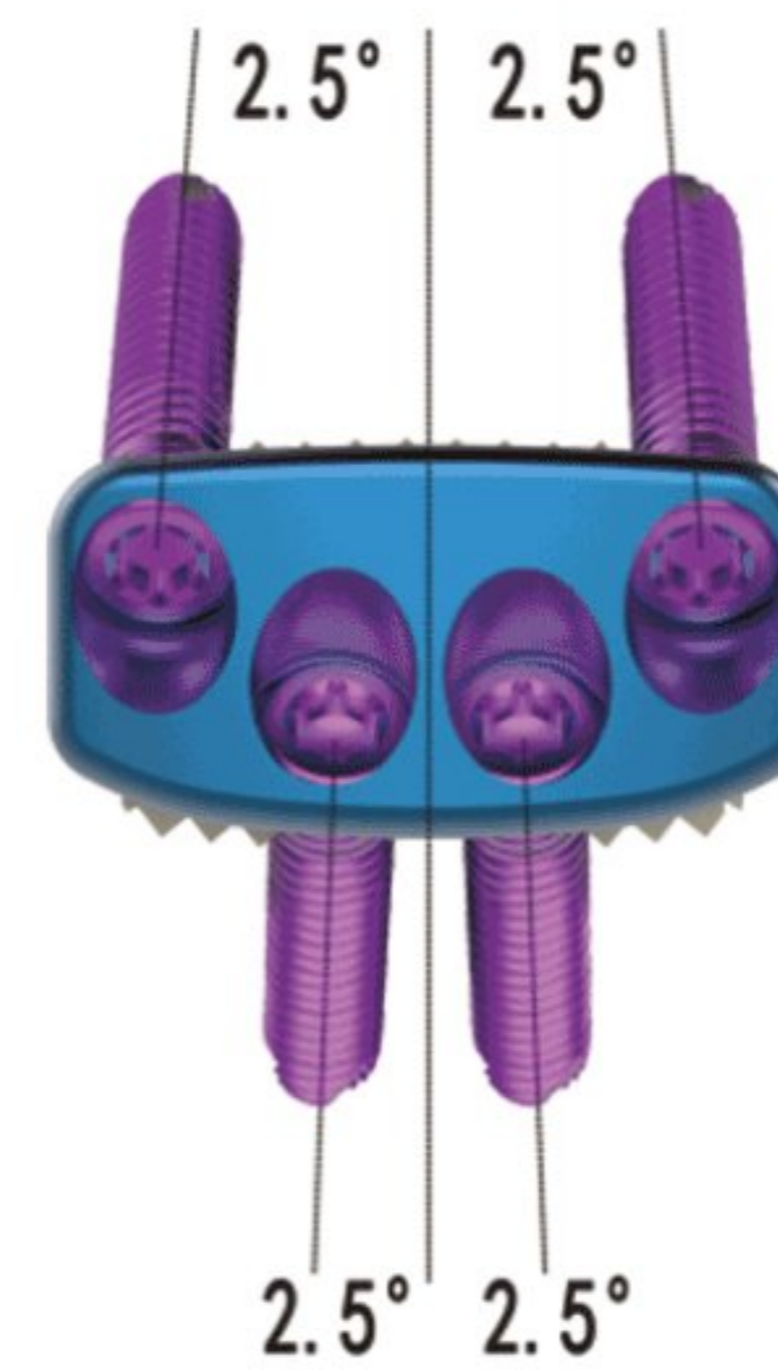
Features

Zero profile & Stand-alone



Zero Profile

- Minimize cervical irritation
- Prevent Prevent ossification of neighbour segments
- Deliberated and simplified surgical design

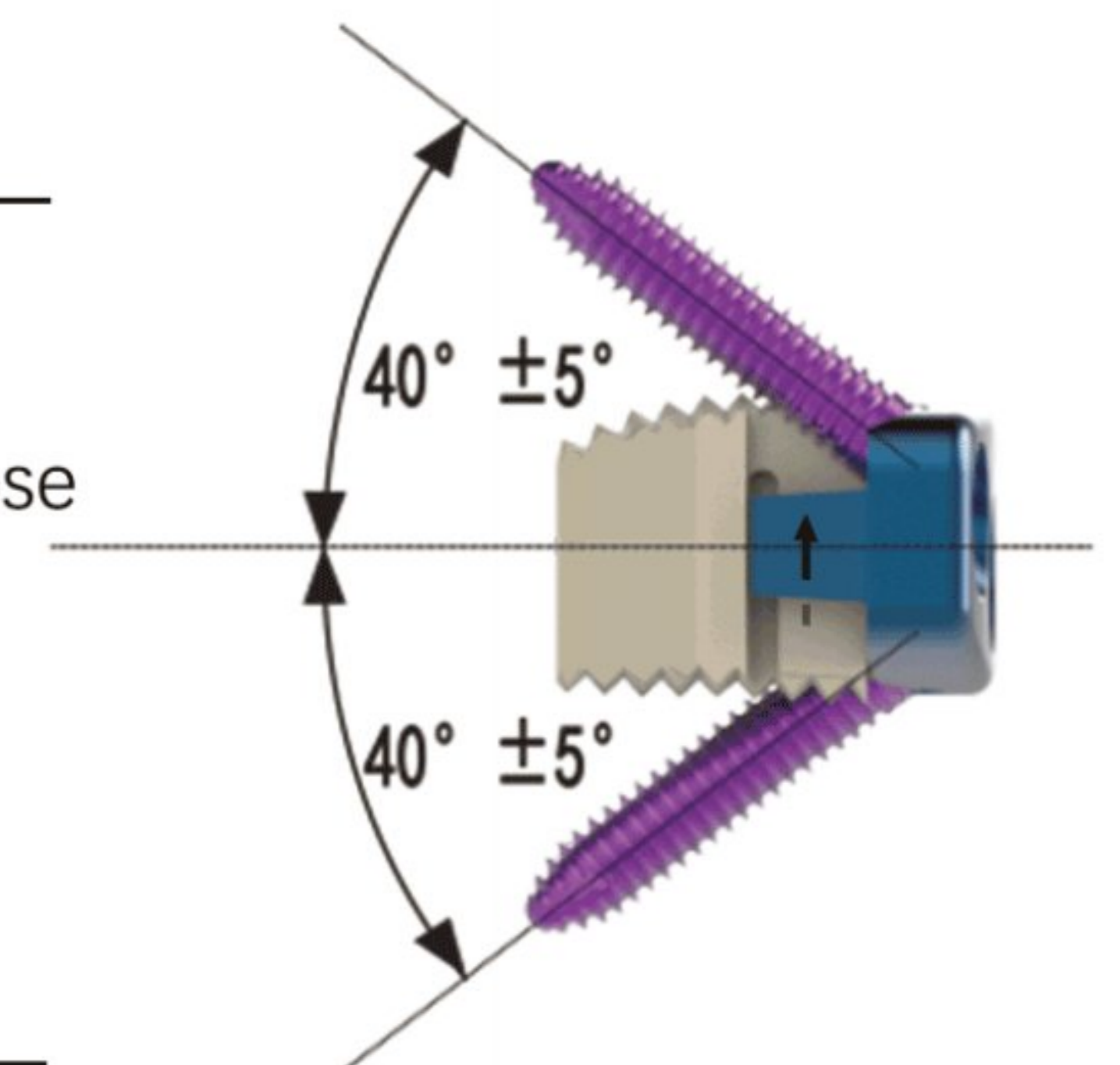


Specialized Locking Plate

- Provide rigid locking interface
- Disperse caging and plating stress

PEEK Interbody Fusion Cage

- Carried with radiopaque marker for posterior X ray Imaging purpose
- Serrated surfacing to obtain instantaneous stability



Tapped Locking Screw

- Self tapping screw for 1 step locking
- 40+ -5 fixed angle locking to prevent displacement

